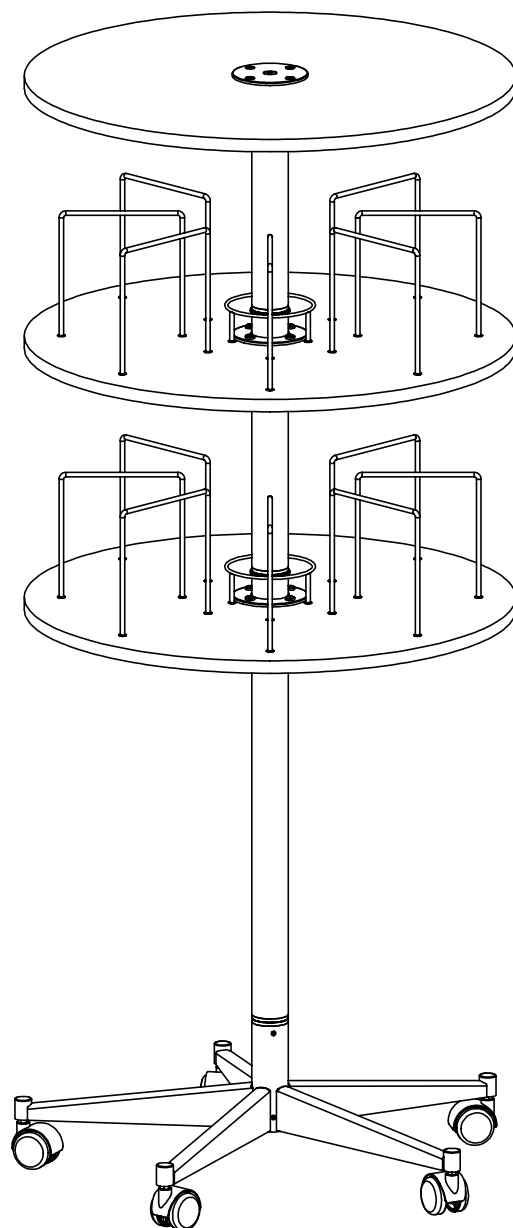
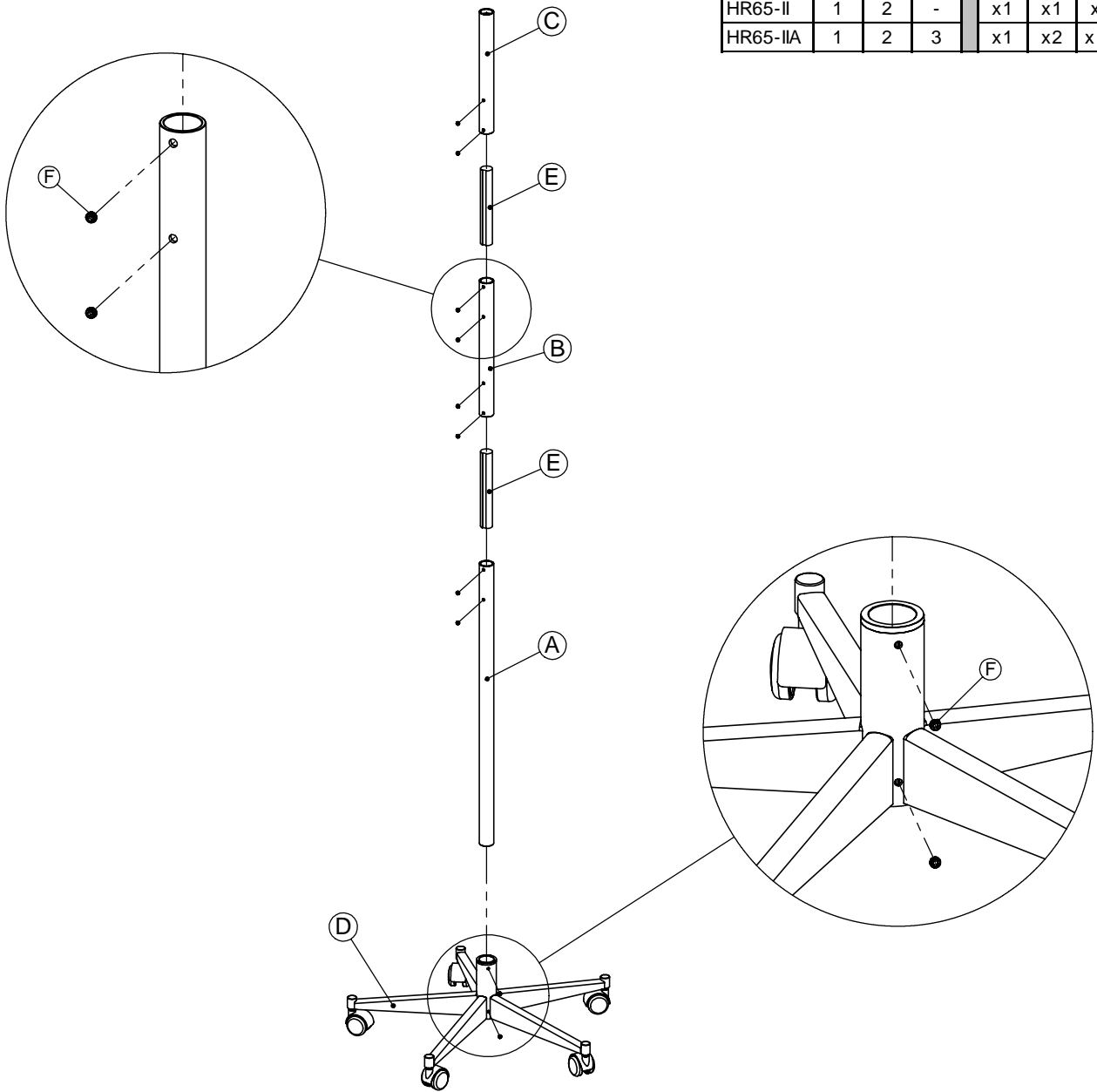


PÄRMKARUSELLER

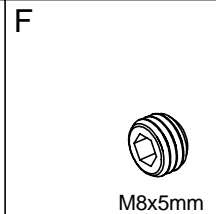
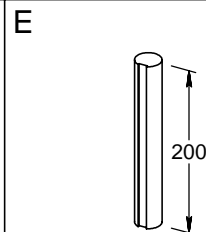
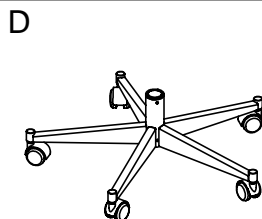
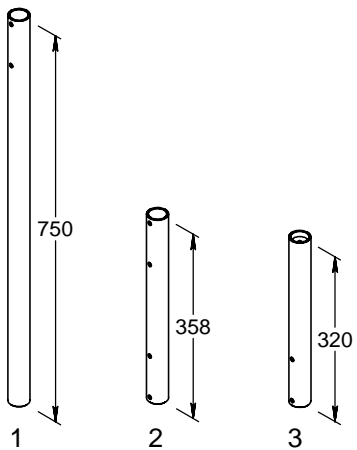
HR65



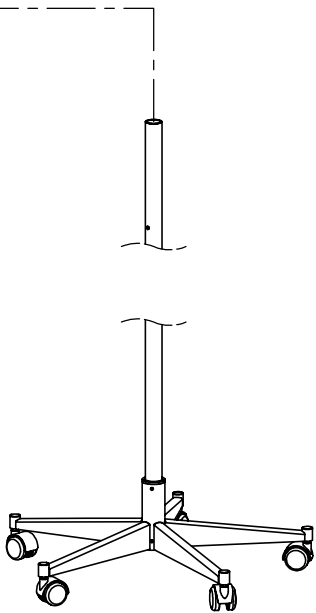
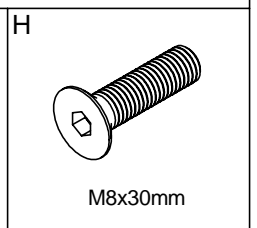
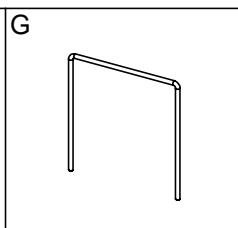
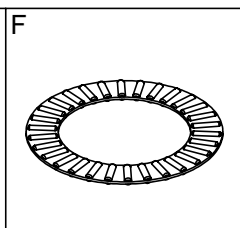
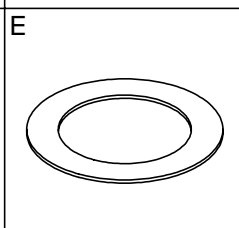
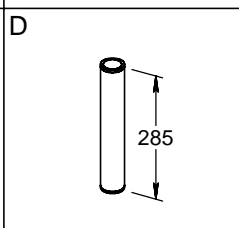
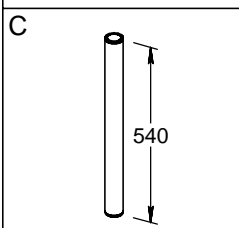
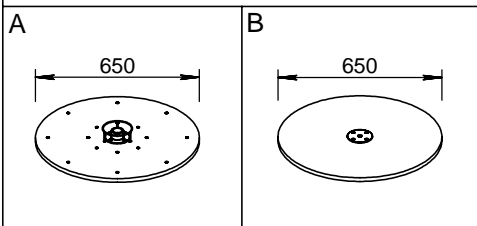
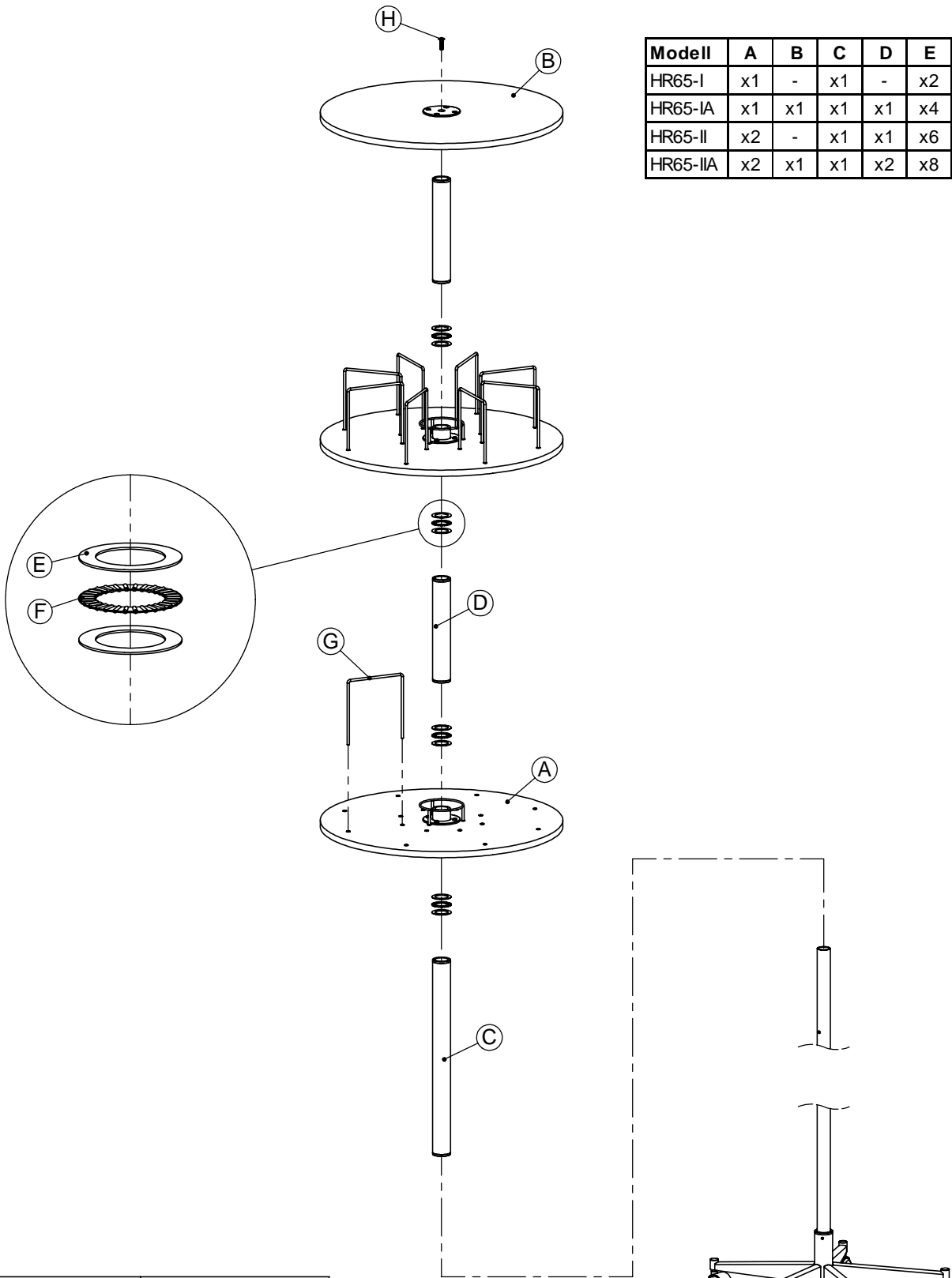
Modell	A	B	C	D	E	F	G
HR65-I	1	-	-	x1	-	x2	x1
HR65-IA	1	3	3	x1	x1	x6	x1
HR65-II	1	2	-	x1	x1	x6	x1
HR65-IIA	1	2	3	x1	x2	x10	x1



A - C

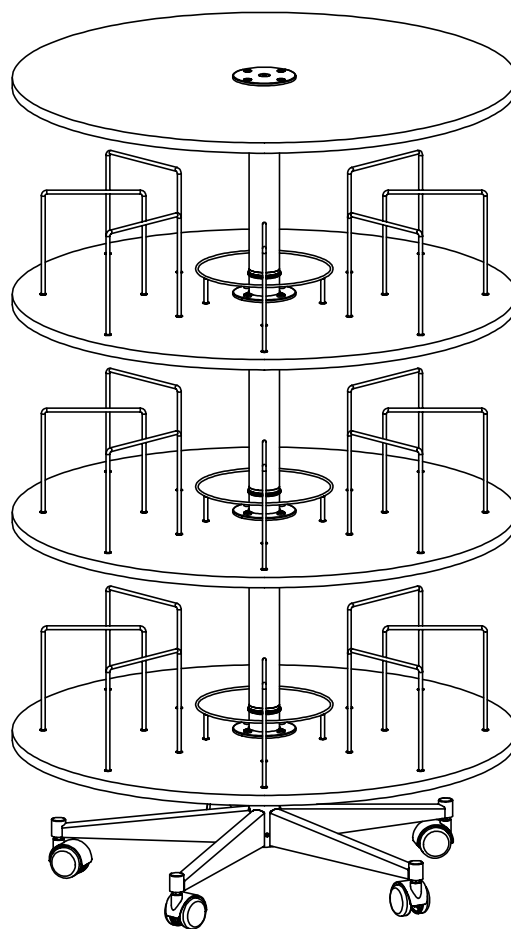
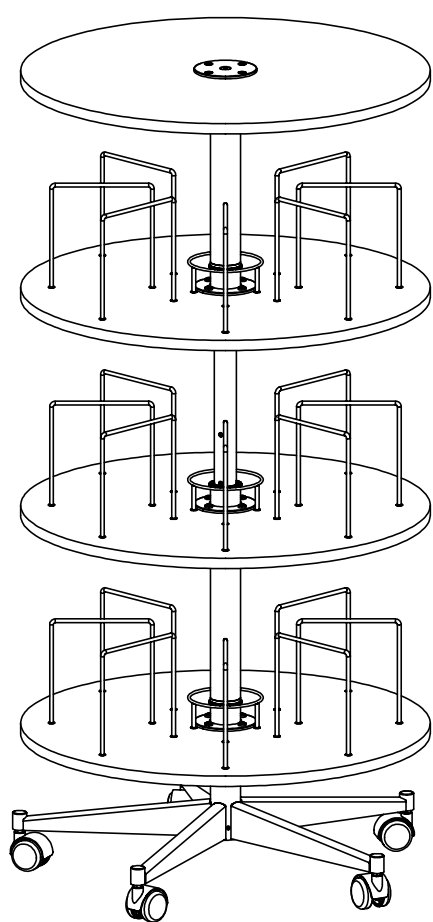


Modell	A	B	C	D	E	F	G	H
HR65-I	x1	-	x1	-	x2	x1	x8	-
HR65-IA	x1	x1	x1	x1	x4	x2	x8	x1
HR65-II	x2	-	x1	x1	x6	x3	x16	-
HR65-IIA	x2	x1	x1	x2	x8	x4	x16	x1



PÄRMKARUSELLER

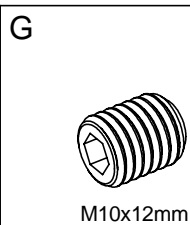
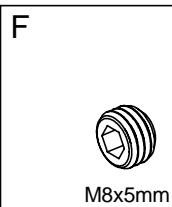
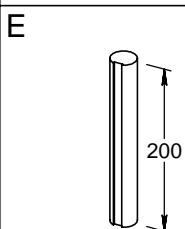
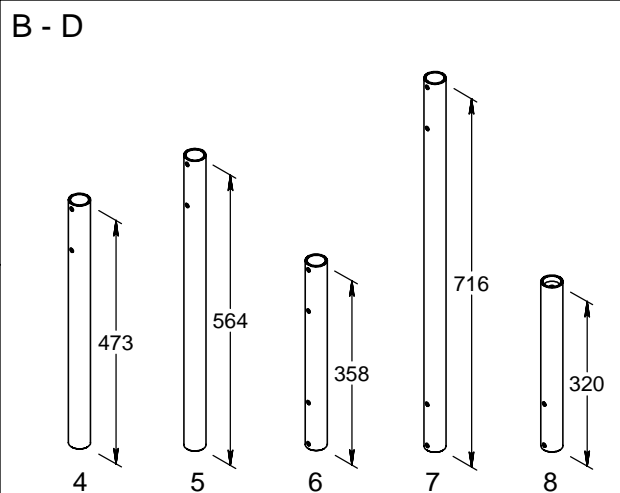
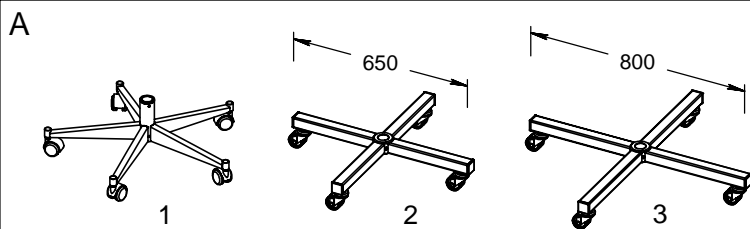
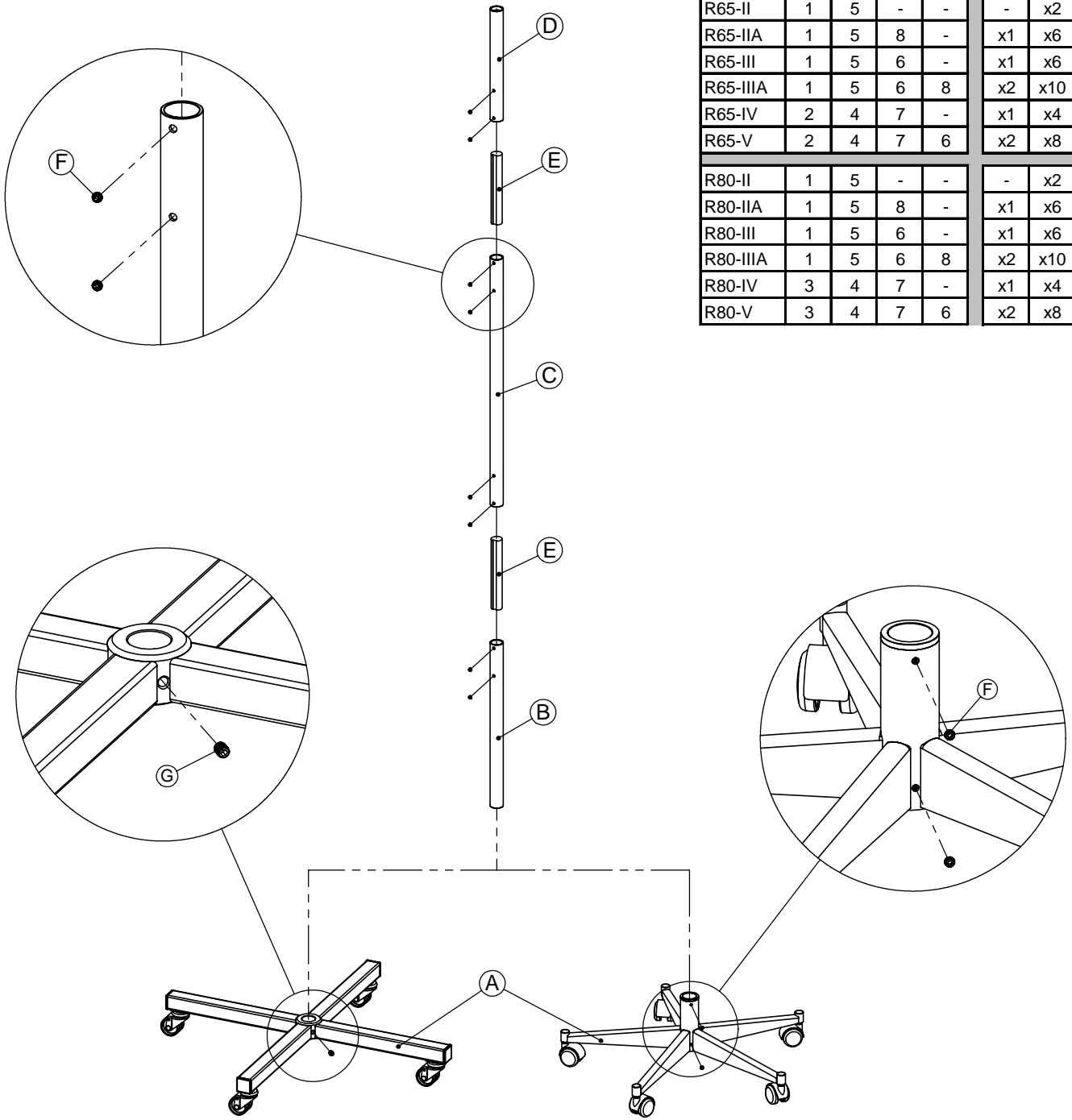
R65 - R80

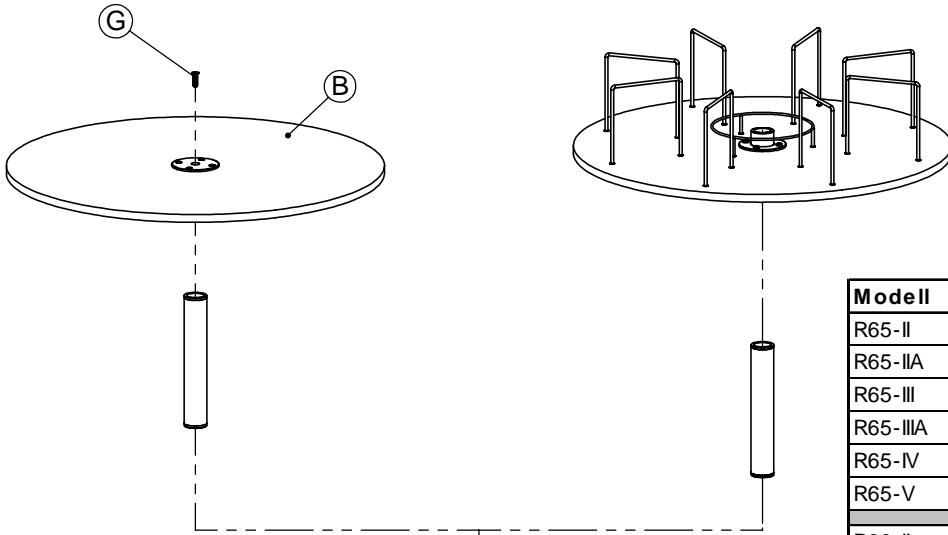


1

R65 - R80

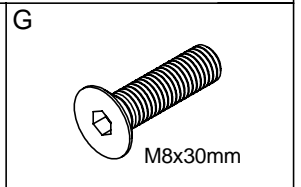
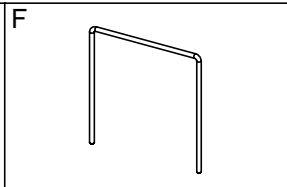
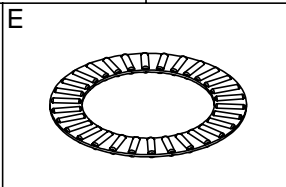
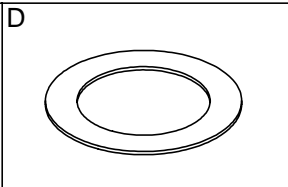
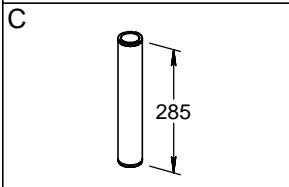
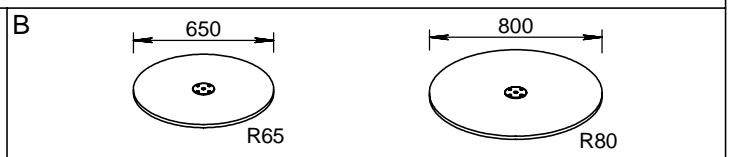
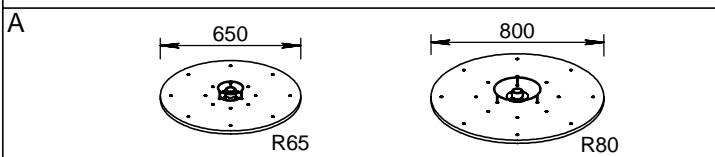
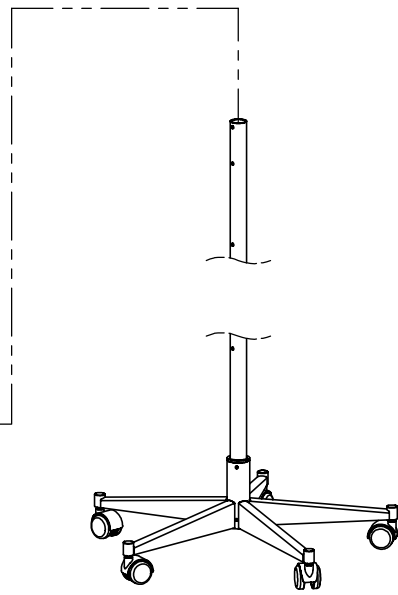
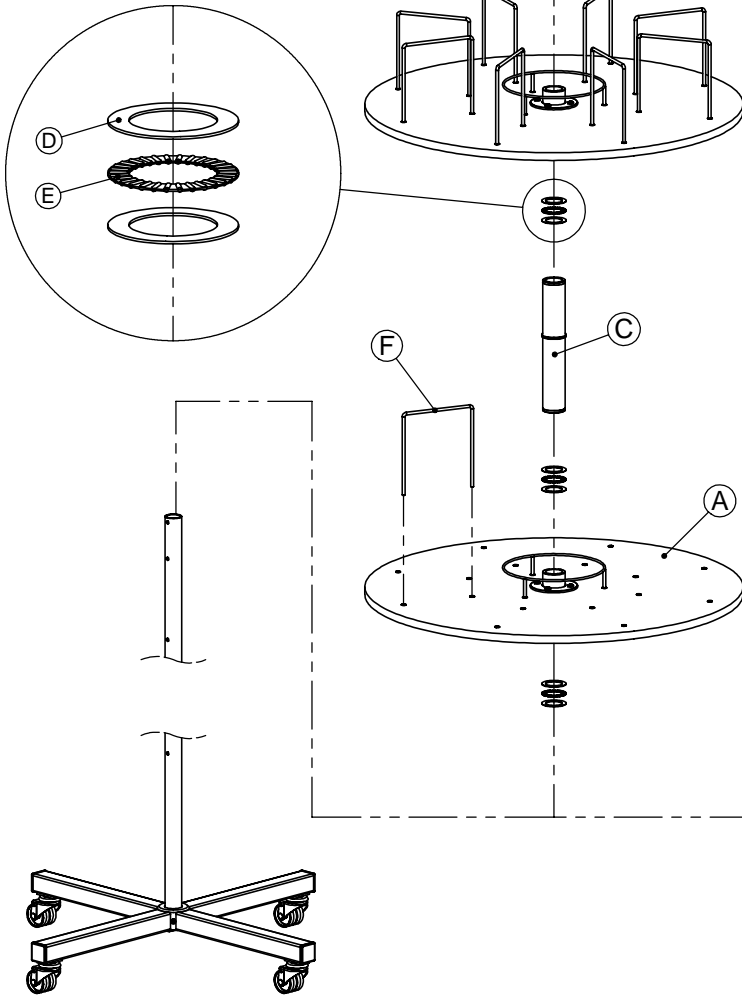
Modell	A	B	C	D	E	F	G
R65-II	1	5	-	-	-	x2	-
R65-IIA	1	5	8	-	x1	x6	-
R65-III	1	5	6	-	x1	x6	-
R65-IIIA	1	5	6	8	x2	x10	-
R65-IV	2	4	7	-	x1	x4	x1
R65-V	2	4	7	6	x2	x8	x1
R80-II	1	5	-	-	-	x2	-
R80-IIA	1	5	8	-	x1	x6	-
R80-III	1	5	6	-	x1	x6	-
R80-IIIA	1	5	6	8	x2	x10	-
R80-IV	3	4	7	-	x1	x4	x1
R80-V	3	4	7	6	x2	x8	x1

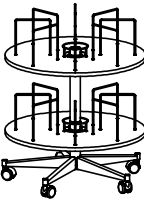
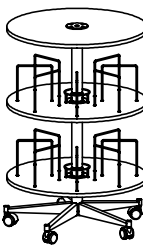
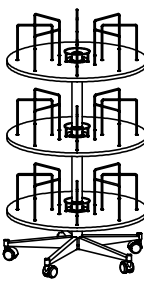
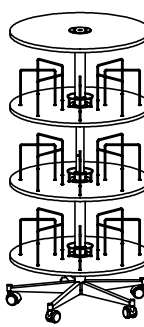
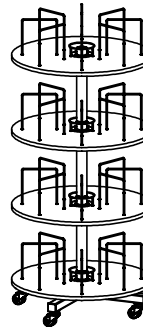
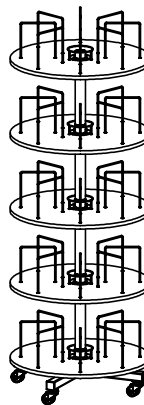
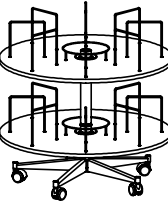
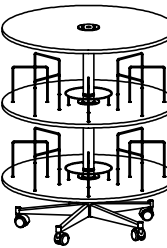
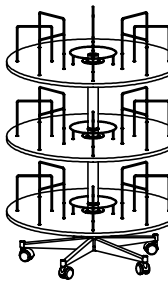
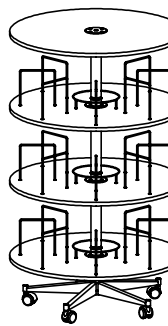
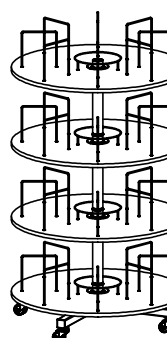
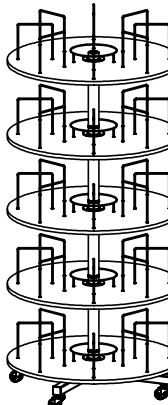
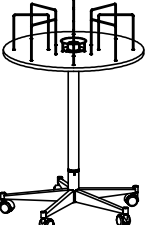
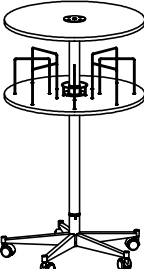
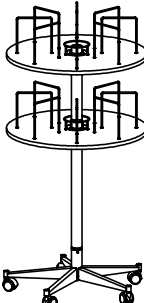




R65 - R80

Modell	A	B	C	D	E	F	G
R65-II	x2	-	x1	x6	x3	x16	-
R65-IIA	x2	x1	x2	x8	x4	x16	x1
R65-III	x3	-	x2	x10	x5	x24	-
R65-IIIA	x3	x1	x3	x12	x6	x24	x1
R65-IV	x4	-	x3	x14	x7	x32	-
R65-V	x5	-	x4	x18	x9	x40	-
R80-II	x2	-	x1	x6	x3	x16	-
R80-IIA	x2	x1	x2	x8	x4	x16	x1
R80-III	x3	-	x2	x10	x5	x24	-
R80-IIIA	x3	x1	x3	x12	x6	x24	x1
R80-IV	x4	-	x3	x14	x7	x32	-
R80-V	x5	-	x4	x18	x9	x40	-



<p>R65-II</p> 	<p>R65-IIA</p> 	<p>R65-III</p> 	<p>R65-IIIA</p> 	<p>R65-IV</p> 	<p>R65-V</p> 
<p>R80-II</p> 	<p>R80-IIA</p> 	<p>R80-III</p> 	<p>R80-IIIA</p> 	<p>R80-IV</p> 	<p>R80-V</p> 
<p>HR65-I</p> 	<p>HR65-IA</p> 		<p>HR65-II</p> 	<p>HR65-IIA</p> 